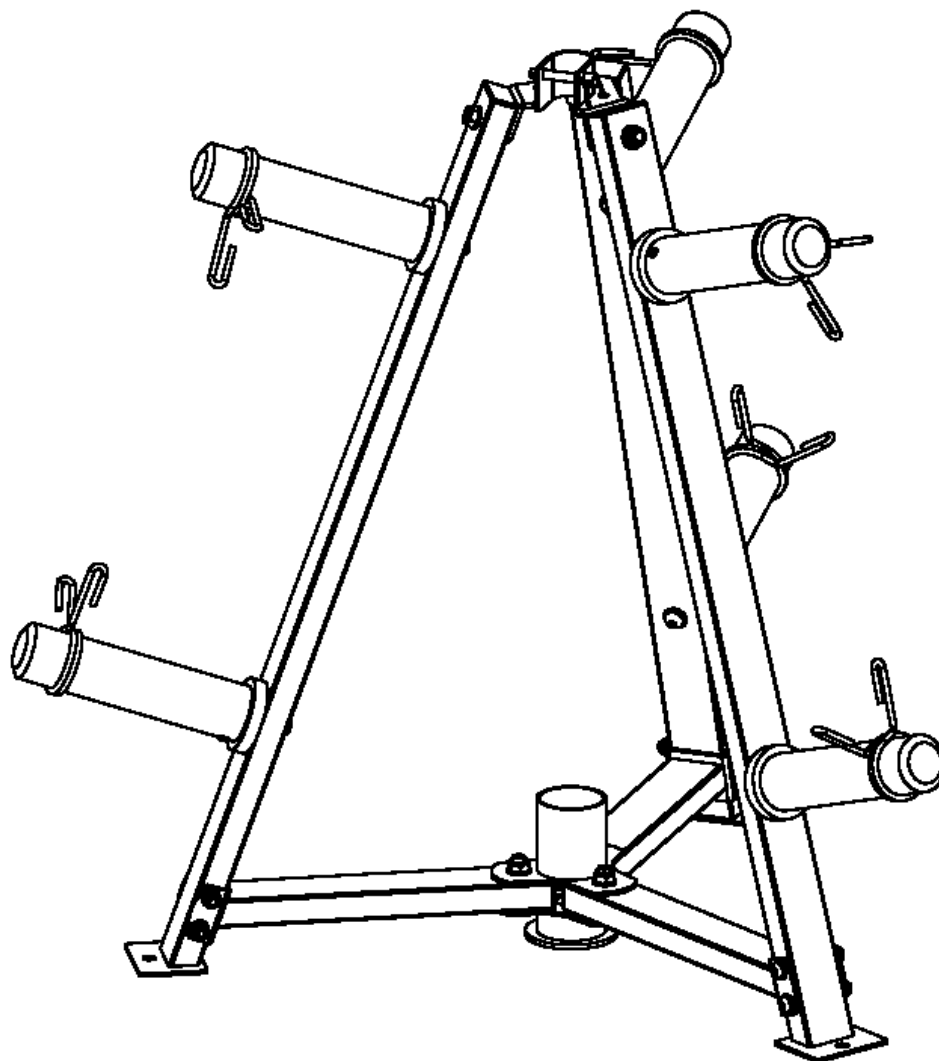


# MARCY<sup>®</sup>

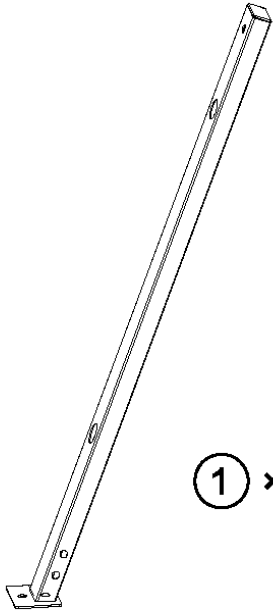
## OLYMPIC PLATE TREE STORAGE RACK PT-5757



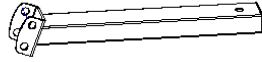
**IMPORTANT:** Please read the Important Safety Notice and Assembly Information in the Owner's manual before assembling this product.

**Assembly Manual**

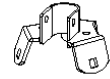
180702



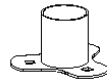
① × 3



② × 3



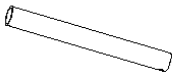
③ × 1



④ × 1



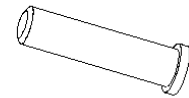
⑤ × 1



⑥ × 6



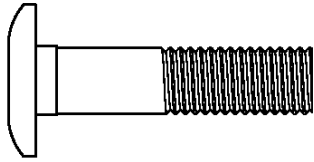
⑦ × 1



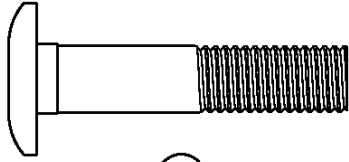
⑧ × 6



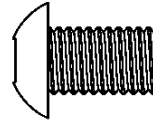
⑨ × 6



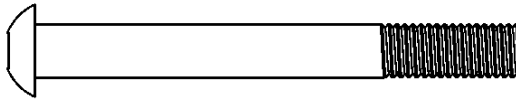
⑫ × 3



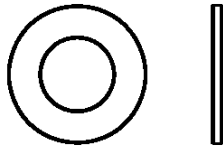
⑬ × 3



⑭ × 6



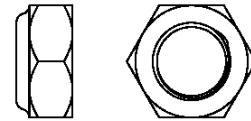
⑮ × 6



⑯ × 12



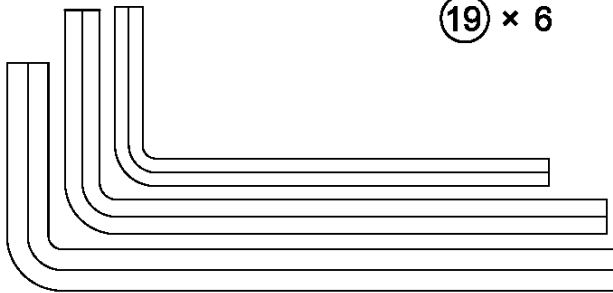
⑰ × 12



⑱ × 6



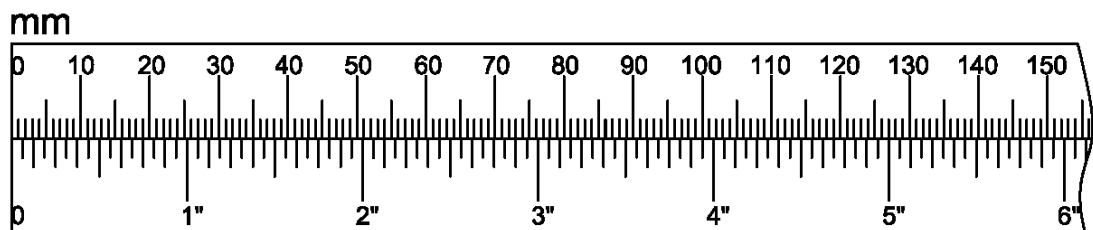
⑲ × 6



4# × 1

5# × 1

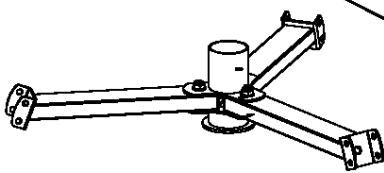
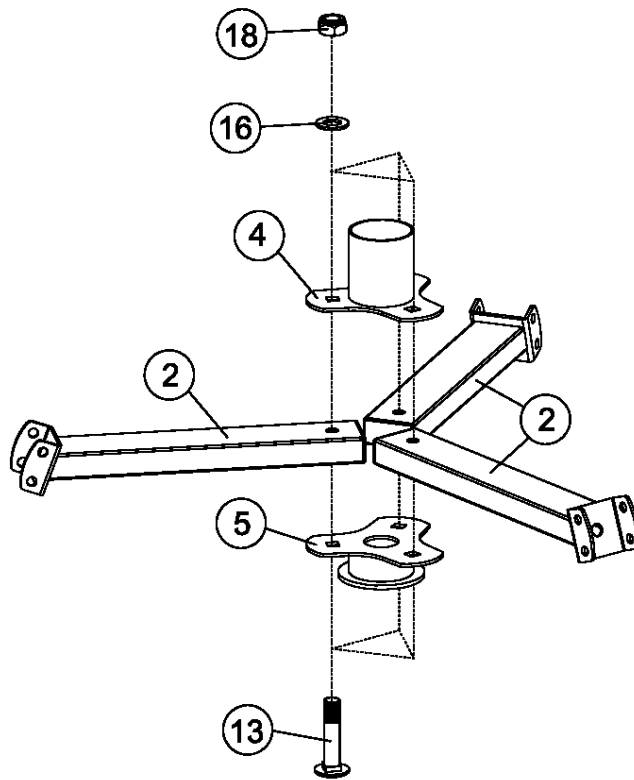
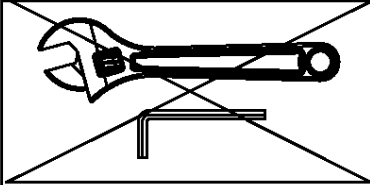
6# × 1



13  x3 M10x1 $\frac{3}{4}$ "

16  x3  $\Phi\frac{3}{4}$ "

18  x3 M10

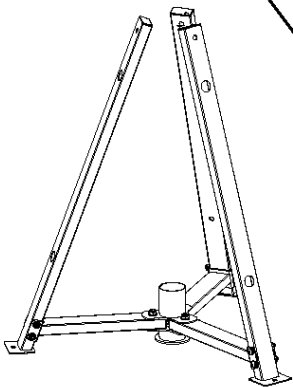
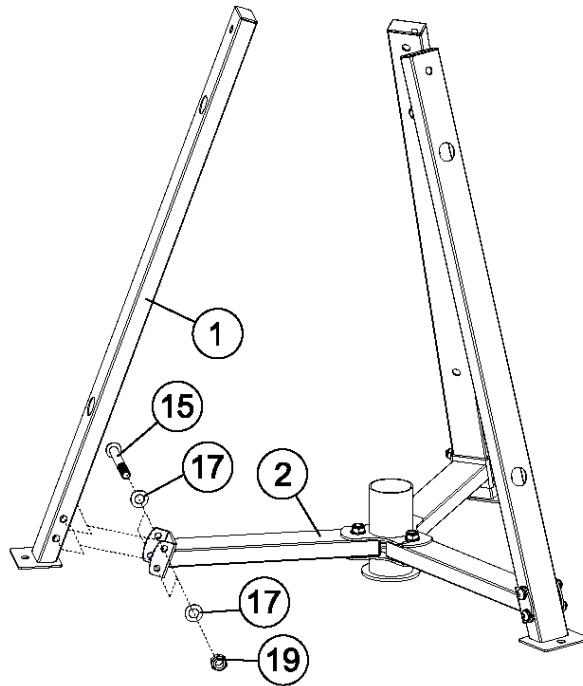
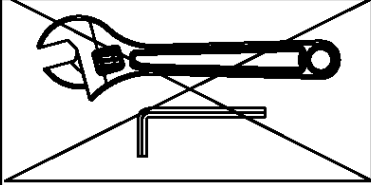


1

⑮  ×6 M8×2 $\frac{3}{4}$ "

⑰  ×12  $\Phi\frac{5}{8}$ "

⑲  ×6 M8

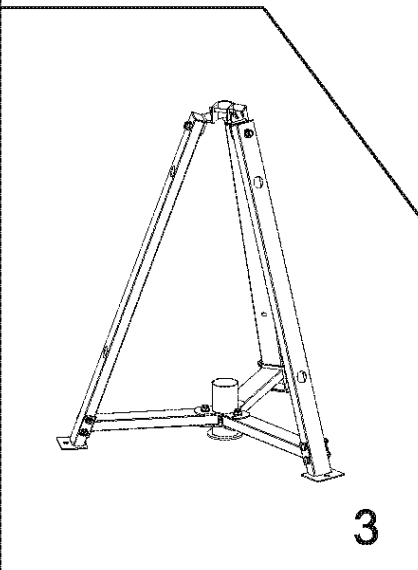
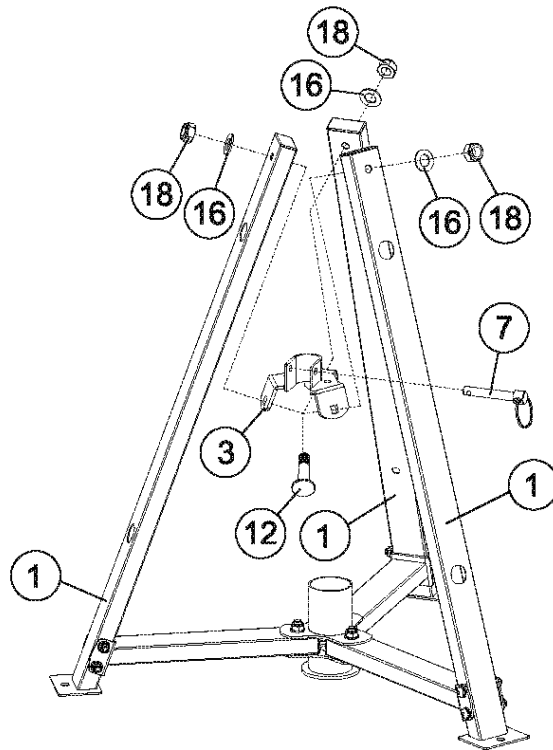
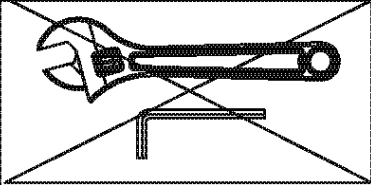


2

12  x3 M10x1 $\frac{5}{8}$ "

16  x3  $\Phi\frac{3}{4}$ "

18  x3 M10



14



x6

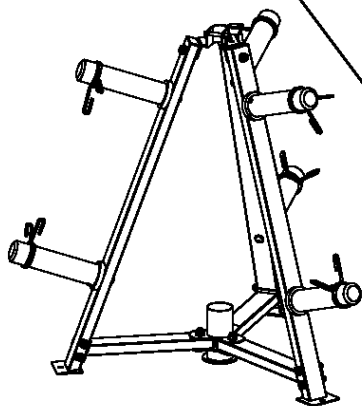
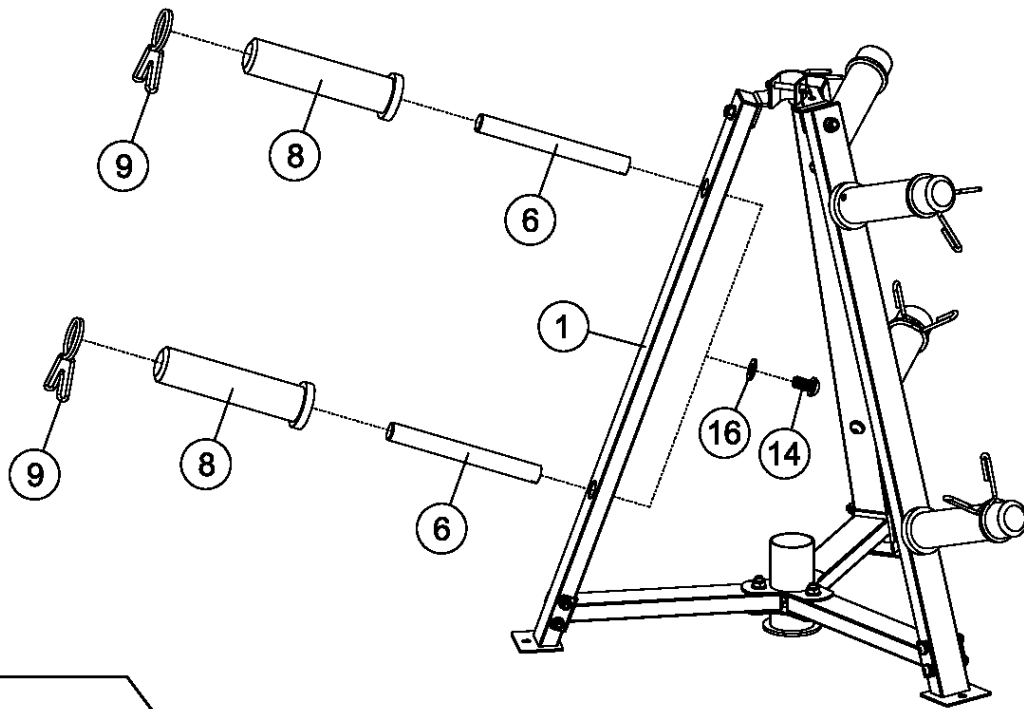
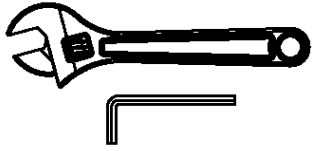
M10x $\frac{5}{8}$ "

16

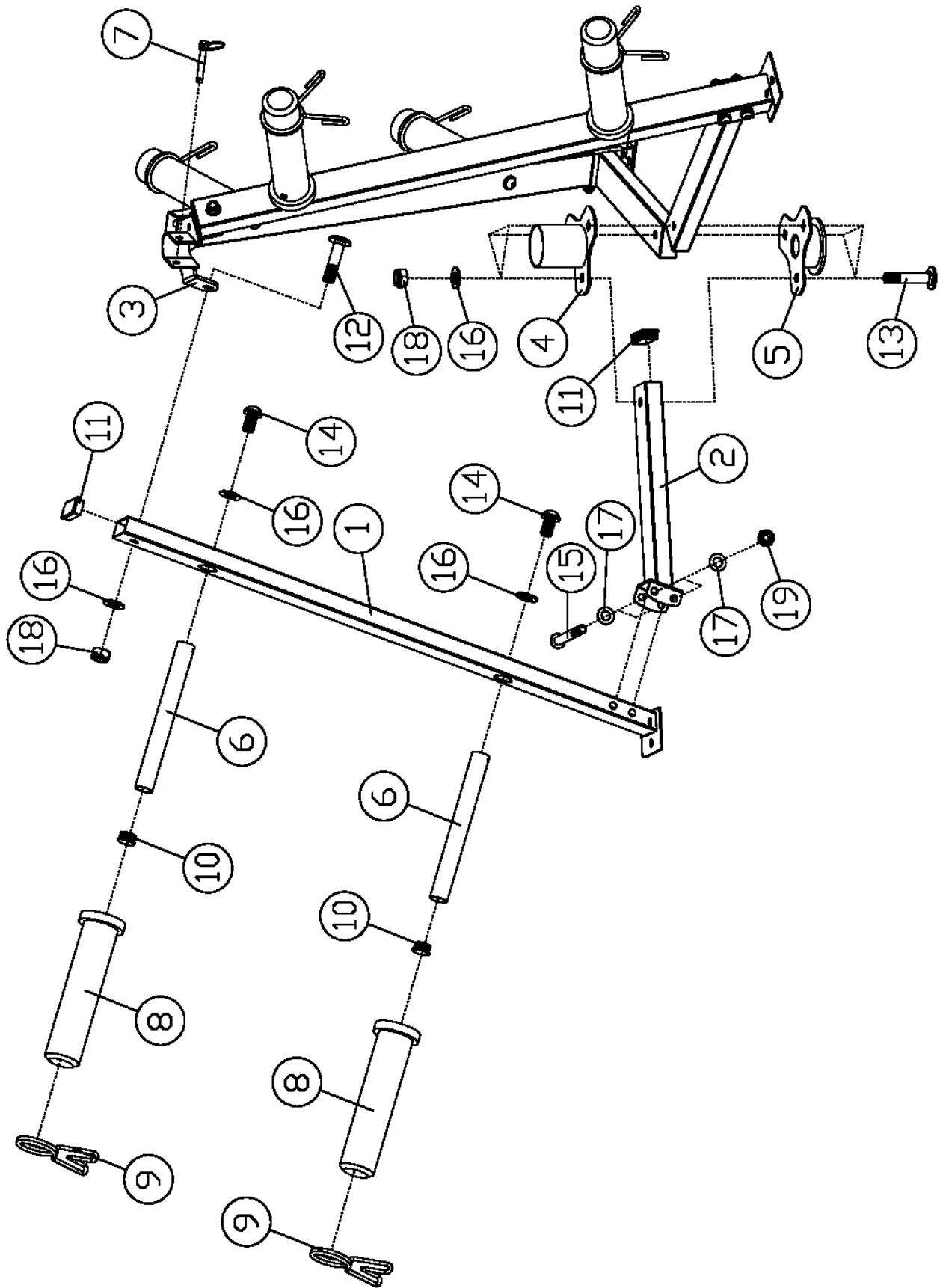


x6

$\Phi\frac{3}{4}$ "



4





**IMPEX® INC.**

2801 South Towne Avenue, Pomona, California 91766

Tel: (800) 999-8899 Fax: (626) 961-9966

[www.marcypro.com](http://www.marcypro.com)

[support@impex-fitness.com](mailto:support@impex-fitness.com)